

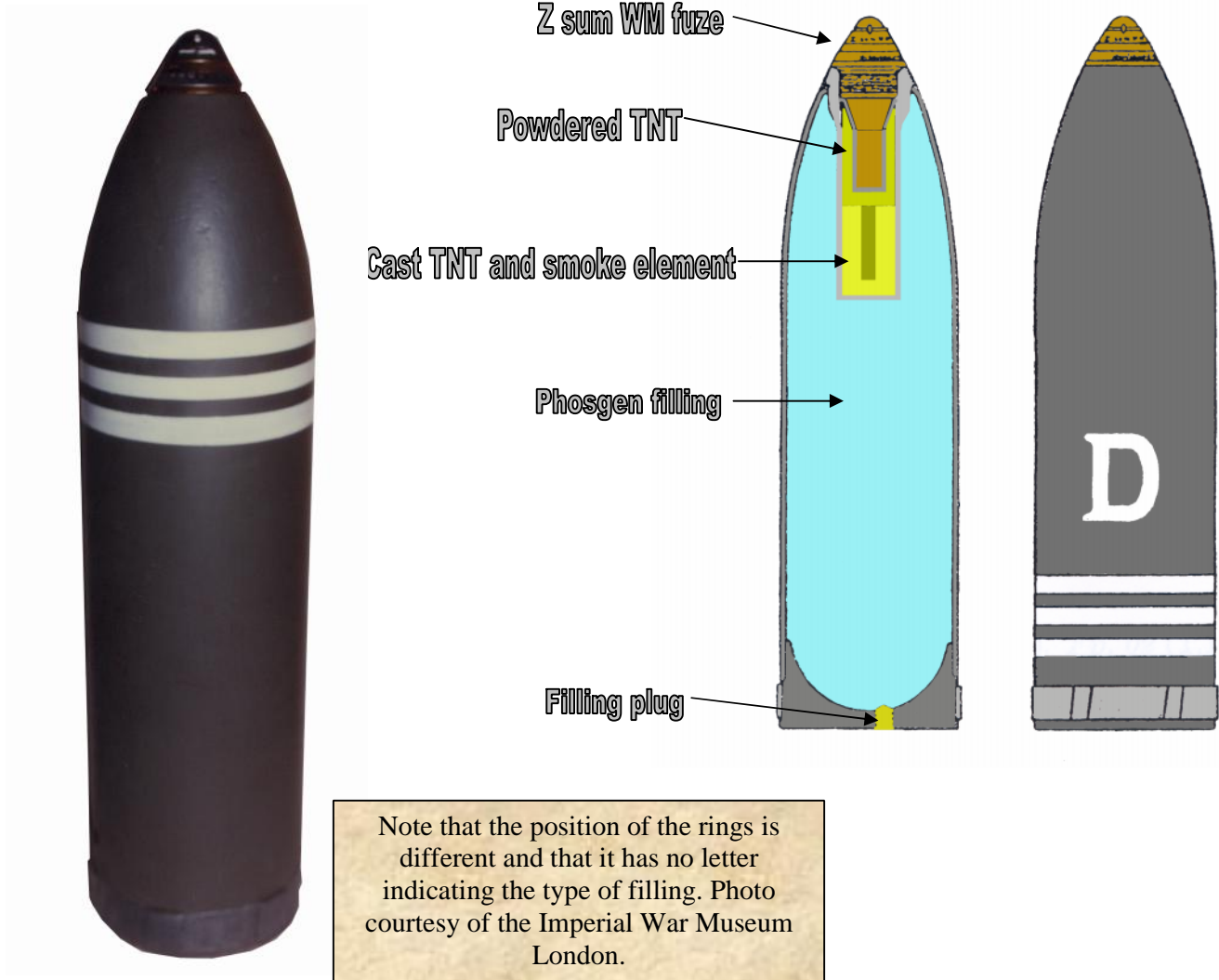
17CM MEDIUM GAS-MINE

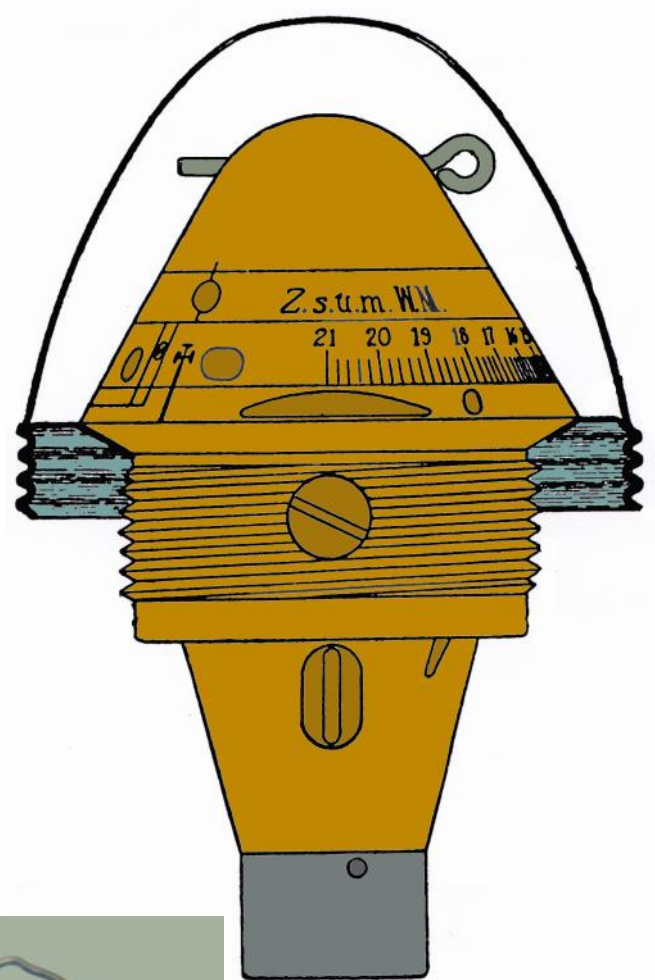
This projectile was what was called the New pattern, direct filled. It was filled with 12kg of Phosgene and a bursting charge of .25kg of TNT. The burster charge had red phosphorus and arsenic smoke producer embedded in the cast TNT portion. It was fuzed with Zsum. WM. See below.

The gas phosgene was asphyxiating and lachrymatory, although the tear gas element was minor.

The projectile was marked with three white bands and or a "D" with sometimes a white cross. This denoted "D-Stoff" or phosgene.

The projectile weighed 34.5kg and was employed in attacking trenches in the many gas attacks carried out by the Germans during WWI. It had a theoretical range between 1300 and 1750 yards.





Z.s.u.m. WM



Both sides of the Z. s.u.m. WM fuze. photo courtesy of ALTC.