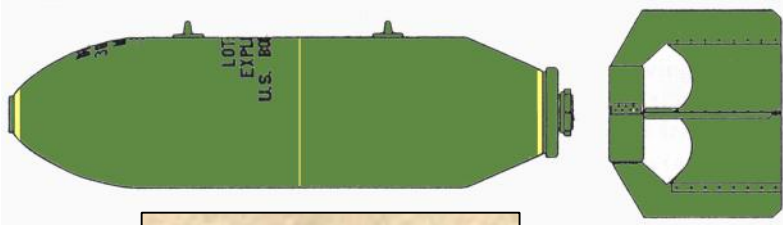
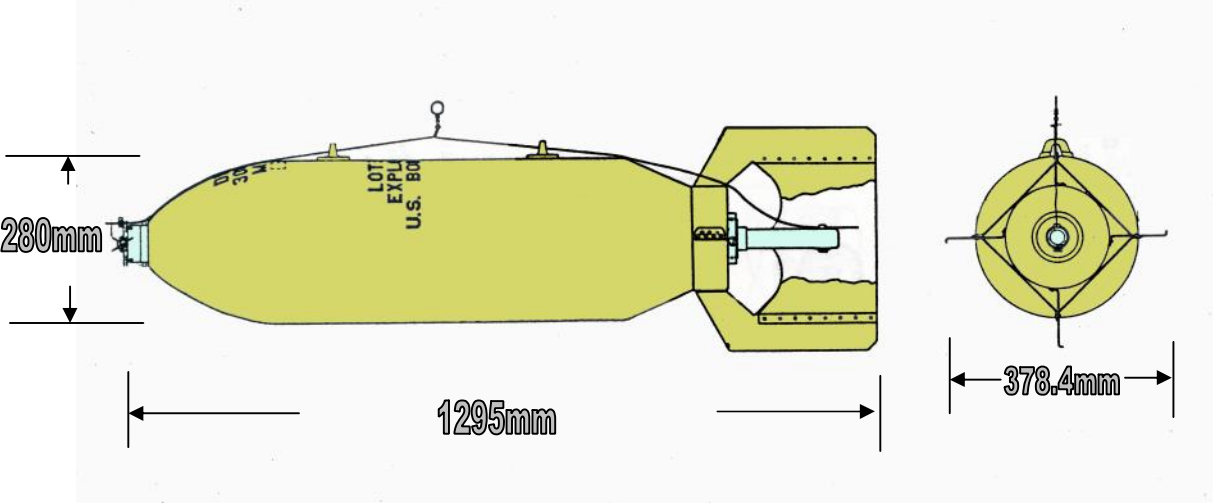


BOMB DEMOLITION 300LB M31

This bomb weighed 128.8kg and was filled with 63kg of high explosives.
It was fuzed with the AN M103 in the nose position and the AN M106 for the tail position.



Alternate colour scheme.