

JAPANESE 37mm.

The Japanese 37mm cartridge was used in the following weapons:

Type 1 Anti-tank gun

Type 1 Tank gun

Infantry type 11th year gun,

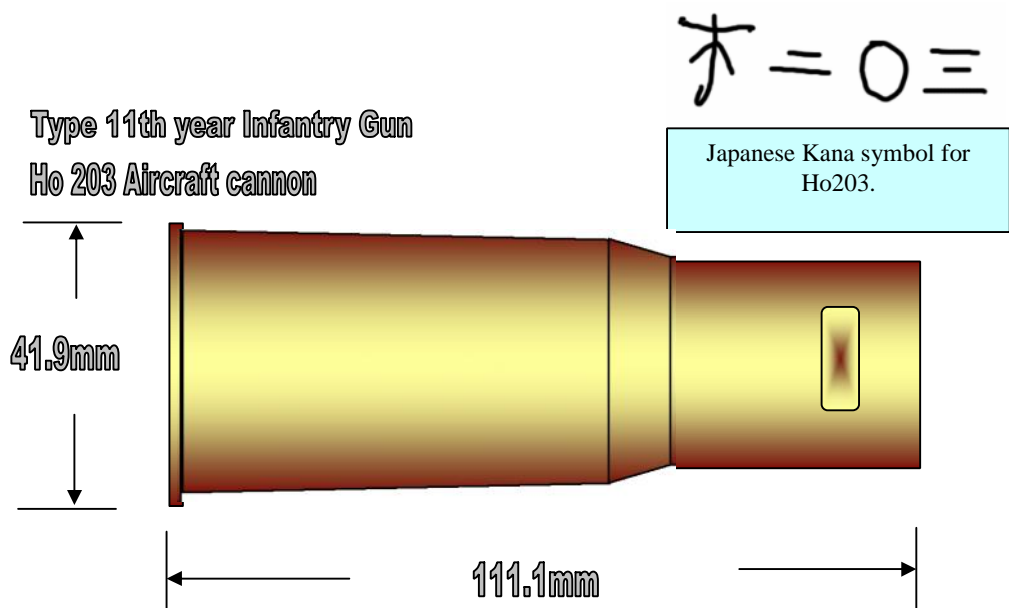
Type 94 tank gun,

Type 1 Anti-tank gun

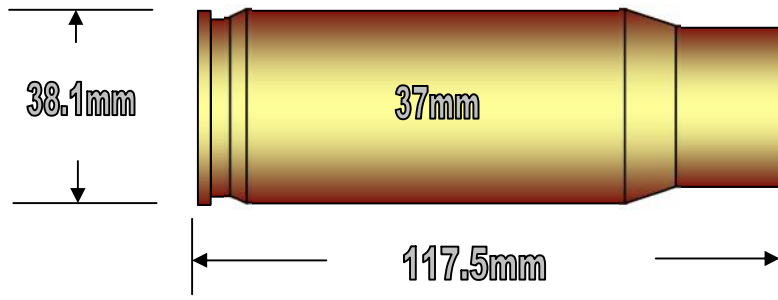
Ho203 and Ho204 Aircraft cannon. It is believed that there was an Ho202 in this calibre but no specimens were ever found? I believe the following table is accurate.

Weapon	Rim	Length
Type 11 th year anti-tank	41.97	111.1
Ho 203 A/C cannon	41.97	111.1
Type 98 or 100 tank	53.97	165.1
Type 94 anti-tank	53.97	165.1
Type 94 tank	53.97	133.35
Type 94 Field gun	53.97	133.35
Type 97 anti-tank	51.5	250.8
Type 1 anti-tank & tank	53.97	250.8
Ho204 A/C cannon	54.67	168.97

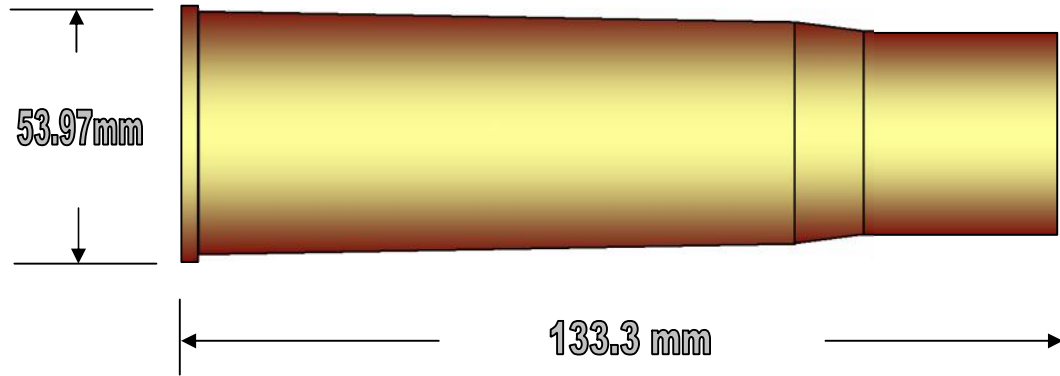
JAPANESE ARMY 37mm CARTRIDGES



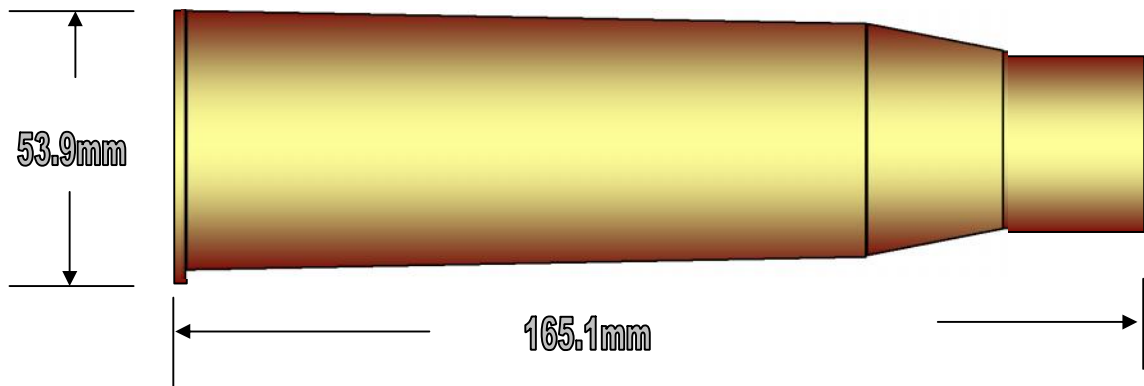
Ho 204 Aircraft cannon



Type 94 Tank Gun

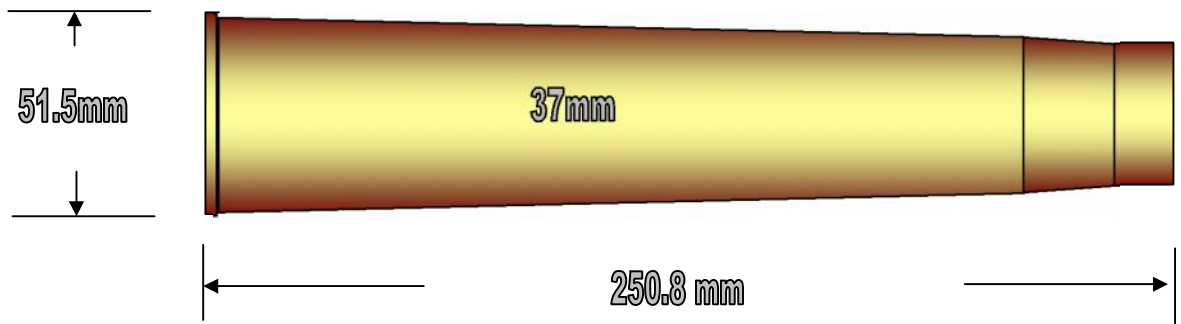


Type 94 Anti-tank Gun
Type 98 Tank Gun
Type 100 Tank Gun



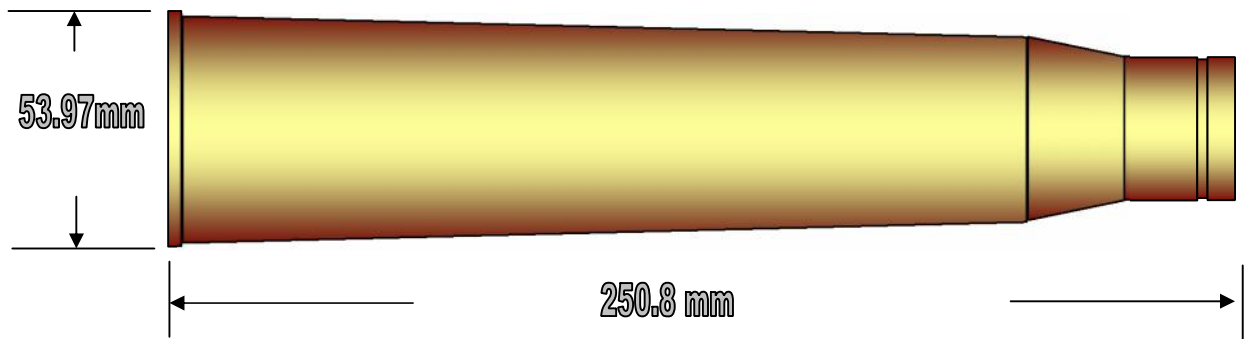
These cases could be found marked for individual guns or for all three guns.

Type 97 Anti-tank



This is a copy of a German 37mm cartridge.

Type 1 Tank Gun Type 1 Anti-tank Gun





Case used in the Type 94 Anti-tank gun, the Type 98 & 100 tank guns.



Propellant charge bag for Japanese 37mm showing the propellant details and the crossed cannons of the Osaka arsenal. Photo courtesy of the Australian Logistics training Centre.

