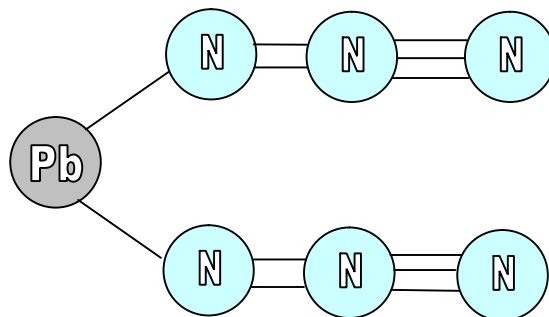


LEAD AZIDE

Lead Azide is one of the great initiator explosives, used primarily in mixtures such as ASA composition. It is a fine white crystalline substance that is non-hygroscopic and is a salt of hydrazoic acid. It doesn't become dead pressed under compression. It is a very good long-term storage material not being affected by hot dry conditions. When exposed to flame it very quickly burns to detonation. The V of D falls in direct proportion to the density. This explosive forms an extremely sensitive explosive with copper.

The physical properties of Lead Azide.

FORMULA	MELTING POINT	IGNITION POINT	POWER	F of I	V of D	Density
$Pb(N_3)_2$	WILL DECOMPOSE BEFORE IT MELTS	320/390°			5180 mps	4.8



MOLECULAR ARRANGEMENT OF LEAD AZIDE

THE PREPARATION OF LEAD AZIDE

