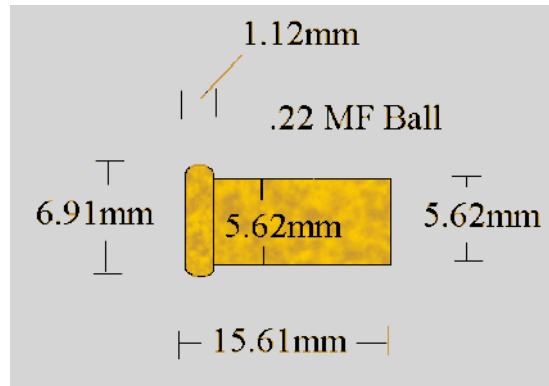
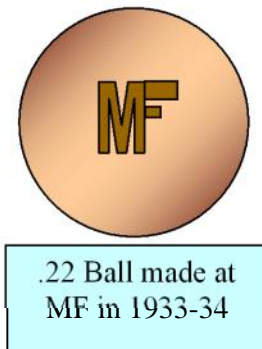


.22 BALL CARTRIDGES

The Government factory in the years 1922/23 made this cartridge presumably for the many sub-calibre devices in vogue for the .303 SMLE. It may also have been for the simple reason of giving the factory something to do during a poor economic time? It is a standard .22 Ball cartridge in all respects with the exception that it is a bit rare today.



The metric designation for this cartridge would be 5.56x16R (I don't believe anyone ever refers to this cartridge as anything other than the ".22")