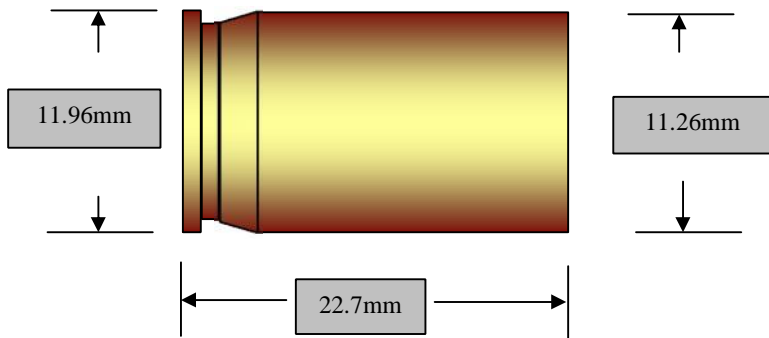


.45 AUTOMATIC CARTRIDGES



During World War Two the vast influx of American troops into the Pacific theatre and Australia's involvement there and in the Middle East meant that we encountered many weapons in the .45 Auto class. Lend lease also ensured that many of these weapons became available to Australian troops. It would seem that this became such a common

calibre that Australia commenced making it in 1943 and continued to do so until 1956. In my opinion we should never have given it away as it is a far better combat cartridge than the 9mm. The metric designation for this cartridge is 11.43x23, but it is normally known as the .45 Auto.

This cartridge is also known as:

- .45 ACP
- .45 Colt M11 or M1911 or M1911A1
- .45 Automatic pistol
- .45 Colt automatic

The dates shown are believed to be those available and information concerning dates would be appreciated.

MG	43	44	45	47	48	49	50	51	52	53	54	55	56

MF	43	44	45	47	48	49	50	51	52	53	54	55	56



Mk 1 Ball made at MF in 1956.



Mk 1Z made at MG in 1943. This model was made from 1943 to 56.



A variation on the MG headstamp



Mk. I ball made at Factory No. 1 in 1956.