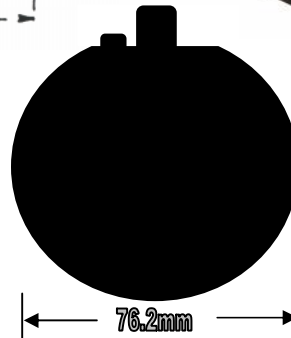
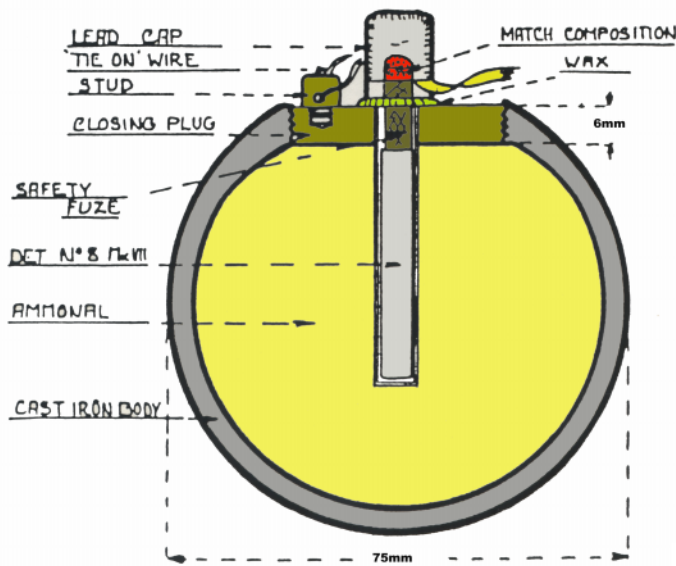


GRENADE HAND No. 15

This grenade was introduced in June 1917 and one could be forgiven for believing it to be something from the American civil war. It was a simple safety fuze type grenade using a match composition to ignite the piece of fuze. It also had a cast iron body. It was filled with .12 kg of Ammonal or Blastine. When filled Ammonal it was marked with a pink band. The grenade was used in the West Spring gun or it could be hand thrown



The No. 15 grenade with its "Brock" igniter

THE "WEST" SPRING-GUN.

