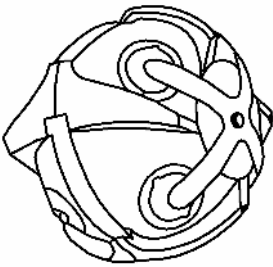
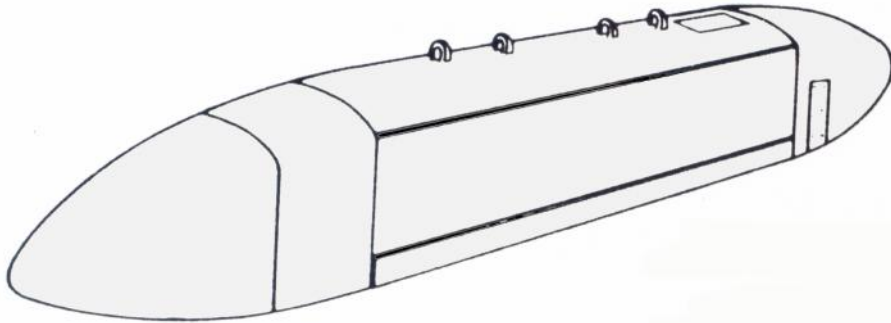
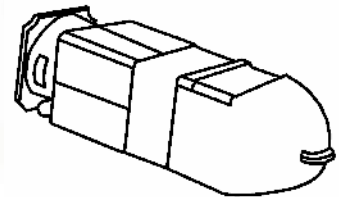
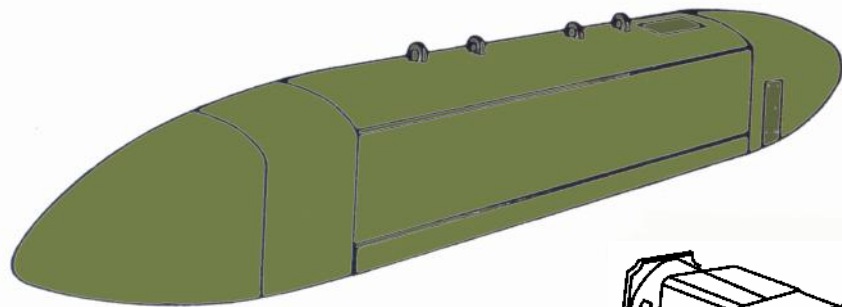


DISPENSER SUU-26/A

This dispenser was a cluster dispenser and it carried either Mine BLU-45/B or Mine BLU-54/B. It weighed 410.5kg. It was either painted olive drab or white.



Mine BLU-45/B



Mine BLU-54/B

